

# iLink Agg xSTREAM™



## 10 Gigabit Flexible Port Mapping

The need to monitor expanding volumes of 10 Gbps traffic is straining CAPEX budgets due to the high cost of 10G monitoring tools. The iLink Agg xStream helps you leverage your monitoring tool investments by enabling existing 1G tools to be applied to 10G traffic, providing the ability to take advantage of the full bandwidth of 10G tools, and supplying more port density than any other 1U form factor link aggregator.

The iLink Agg xStream is a link aggregator that combines traffic from multiple network links or Span ports and sends it to your monitoring tools. Each of its 24 SFP+ ports accepts both 10G SFP+ and 1G-SFP transceivers, enabling 10G and 1G links, Span ports, and monitoring appliances to interconnect in any mix of speeds, including different fiber and copper media types. The iLink Agg xStream automatically performs all data-rate and media-type conversions, enabling 10G traffic to be sent to 1G appliances, and 1G traffic to 10G tools. This capability protects your security appliance investment, because the iLink Agg xStream enables you to apply your existing arsenal of 1G monitoring tools to your new 10G traffic links. You can aggregate the traffic from multiple 1G links and low-utilization 10G links to fill up the bandwidth of expensive 10G tools.

### Double your Ports

Using simplex cables you can effectively double your ports to support 48 connections: 24 network inputs and 24 tool outputs.

### Management Software

iLink Agg xStream has an intuitive Web UI, a command line interface (CLI) and SNMP support. Managing your iLink Agg xStream is easy, whether you are present in the NOC or working remotely.

### Information Intelligence

Provides visibility or RMON traffic statistics, link utilization levels and error rates in real time. A management port enables remote management and monitoring from anywhere in the network, giving you the information you need to quickly respond to network events.

### Security and Reliability

The iLink Agg xStream is a secure and reliable appliance that delivers unsurpassed monitoring access flexibility. It handles network traffic entirely in hardware. Configuration variables can be changed only through the device's management port, so your monitoring access is immune to viruses, worms, and other attacks that pass through the iLink Agg xStream network ports.

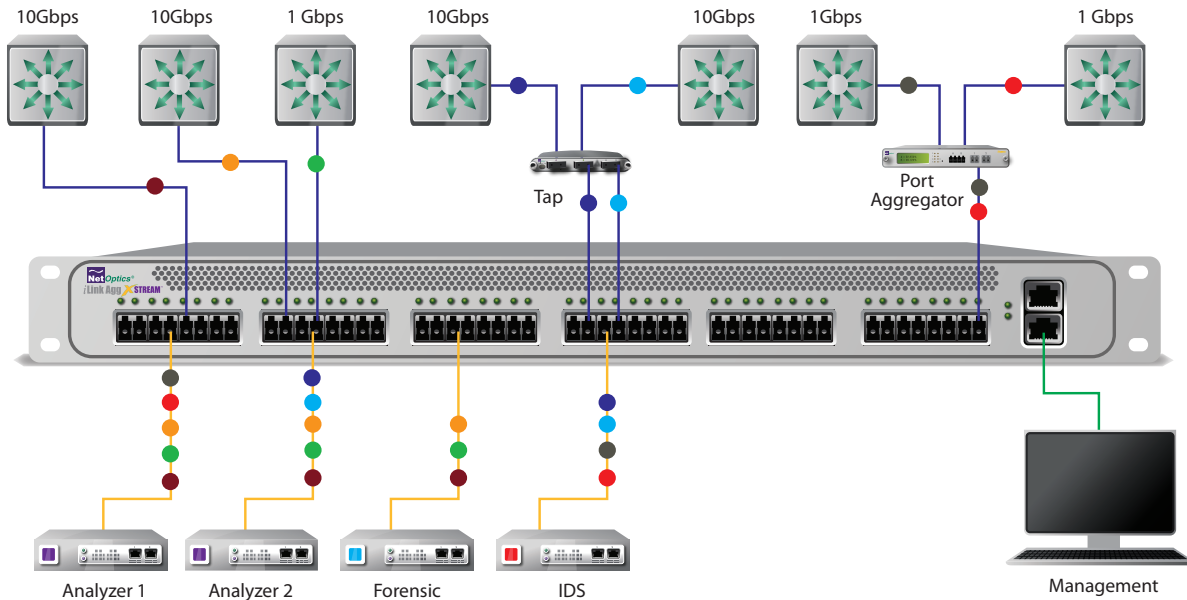
### Zero Dropped Packets

The iLink Agg xStream scans incoming traffic from the network ports on a first-in-first-out basis. The scan rate is optimized to ensure that no packets are dropped as long as the sum of data rates on the network ports does not exceed the monitoring port capacity of 10 Gbps (or 1 Gbps for monitor ports with 1G SFP transceivers).

## At a Glance

- Increases monitoring efficiency by enabling tools to view the traffic on as many as 24 network links or Span ports simultaneously (external Taps are required for connections to network links)
- Eliminates resource contention by enabling as many as four devices to monitor identical traffic at the same time
- Improves monitoring flexibility with fully configurable port mappings (any number of links to any number of available tools)
- Provides complete visibility at 10 Gbps without interfering with the data stream and without introducing a point of failure
- RMON statistics and extensive statistics covering network traffic, utilization and protocol distribution, All counters can be exported
- Dual redundant hot-swappable AC or DC power supplies
- Supports media type conversion with 10Gig SFP+ or 1Gig SFP transceiver modules on both the network and monitor ports
- Intuitive Web UI, SSH access
- Graphical "Drag & Draw" Filters
- Port rate limiting
- High Availability (HA)
- Any port can be used for monitor or network
- Twenty-four 1-Gigabit SFP+/ 10-Gigabit
- Advanced SNMPv3 integrates with all major NMS and Indigo Pro
- TACACS+/RADIUS support
- Pre-loaded with common port mapping configurations
- LEDs indicate Link, Activity, and Power status
- Front-mounted connectors ease installation and operation
- High density 1U rack enclosure
- Compatible with all Net Optics Taps and Bypass Switches
- Compatible with all major manufacturers' monitoring devices, including protocol analyzers, probes, firewalls, and intrusion detection/prevention systems
- Role Based Access Control Management

# iLink Agg XSTREAM™ 10 Gigabit Flexible Port Mapping



## Specifications

### Performance

#### Hardware throughput

480 Gbps; no packets dropped as long as monitor traffic does not exceed monitor port bandwidth

### Cut Through Architecture

#### Latency

650 nanoseconds (excluding aggregation head-of-line blocking delays)

#### Port mapping

Aggregation, any number of ports in; regeneration, any number of ports out; any-to-any, any-to-many, many-to-any, and many-to-many; any port can be used as an input, an output, or both simultaneously—monitor ports can be used as additional network ports, and network ports can be used as additional monitor ports

#### Network Intelligence

Current utilization, total packets, total bytes, and CRC errors. More than 100 detailed traffic statistics and counters including RMON. All counters can be exported as CSV files

#### Device management

Web UI, Serial console, SSH, SNMPv3, SNMPv2, SNMPv1, Remote software upgrades, Back up and restore configuration, Role Based Access Control Management

#### Packet slicing

Truncate size is configurable by the user

#### TACACS+/RADIUS

Server allows authentication of users from external AAA servers using either RADIUS or TACACS+ protocols

### Chassis

#### Environment

Operating Temperature: 0°C to 40°C  
Storage Temperature: -10°C to 70°C  
Relative Humidity: 10% min, 95% max, non-condensing

#### Mechanical

Dimensions: 1.75" high x 19.7" deep x 19.0" wide  
Mounting: Surface or 19" rack mount (1U)  
Weight: 13.5 lbs

#### Connectors

Fiber Optic Interfaces: (24) SFP/SFP+  
Management Port: (1) RJ45 10/100/1000 Copper  
Configuration (CLI) Port: (1) Cisco DB9 to RJ45  
DC Receptacle: Terminal peak, 12-14 gauge wire

#### Hot-swappable modules

Power: (2) AC universal or (2) -48VDC, redundant  
Fans: (4) hot-swappable modules

#### Electrical interface

AC Input: 100-240VAC, 5.29-2.2A, 50/60Hz  
DC Input: -40VDC nominal -40 to -72VDC, 13.9A

#### Indicators

(All ports) Link LEDs  
(All ports) Activity LEDs  
(2) Power LEDs

### Certifications

Safety: MET, CE  
EMC: FCC, VCCI, C-Tick, KC, ME06, CCC, AR  
Environmental: RoHS, WEEE  
Protocol: Fully IEEE 802.3 compliant

## Part Numbers Description

|   |  |
|---|--|
| XF-2ILX   | iLink Agg xStream 24 SFP+ Ports        |
| XF-2ILX-DC  | iLink Agg xStream 24SFP+ Ports, -48VDC |
| XF-2PWRAC   | 1 AC power supply module               |
| XF-2PWRDC   | 1 DC power supply module               |
| XF-2FAN   | 1 Replacement fan module               |
| SFP+ or SFP modules are required for operation and are sold separately.   |  |
| <b>SFP+ kits – 10 Gbps</b>  |  |
| SFP+KT-SR   | 10G Fiber SR SFP+ Transceiver          |
| SFP+KT-50SR   | 10G Fiber SR 50µm SFP+ Transceiver     |
| SFP+KT-LR   | 10G Fiber LR SFP+ Transceiver          |
| <b>SFP kits – 1 Gbps</b>  |  |
| SFPKT-SX  | 1G Fiber SX SFP Transceiver            |
| SFPKT-50SX  | 1G Fiber SX 50µm SFP Transceiver       |
| SFPKT-LX  | 1G Fiber LX SFP Transceiver            |
| SFPKT-GCU   | 1G Copper SFP Transceiver              |
| SFPKT-CU3*  | 10/100/1000 Copper SFP Transceiver     |
| All SFP+ and SFP kits include a 3-meter cable.  |  |
| * The SFPKT-CU3 transceiver may be used in this device but requires that the remote device be set to "auto-negotiation off/disable" and speed set to 1Gig (1000 Mbps) with full duplex. |  |

### Warranty

All products include a 1 year manufacturer's warranty. Service plans offering additional years of coverage including an advanced replacement option are available.



5303 Betsy Ross Drive  
Santa Clara, CA 95054  
Tel: +1 (408) 737-7777  
www.netoptics.com