

New
LOW POWER

Full Duplex Fast & GigaBit Ethernet Monitoring Copper TAP series

C8-1G



Designed for cost effective connection and monitoring your network:

Multi Copper TAPs



This Multi TAPs is a straight forward solution, matching the demand of monitoring multiple Links for:

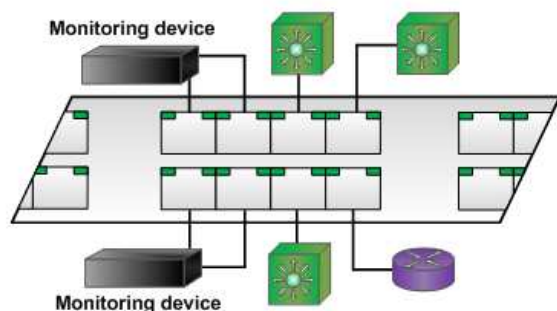
IDS (security) tools
Packet Flow Switches
Consolidating Tools
Network Monitoring
Protocol Analysis

All In-Line Links are passively, monitoring all 7 protocol layers, mirror any packet size, bad CRC and/or VLAN traffic and see both ends of full-duplex links, offering :

- Non intrusive In-Line Monitoring
- Permanent Network Link guaranteed
- Bypass data on power failure
- Monitoring for all Protocol Levels
- Fully 802.3af and VoIP compliant
- No Package Loss
- Galvanic separation for maximum protection
- Redundant power
- All In- and Out- Ports & all Monitor Ports at frontside
- Tested with major analysis & monitoring systems

General Application:

Each monitored Link for use with 2 Channel Hardware- or Software-Analyzer or Aggregation or other appliances at 10/100/1000 Networks:



Available Models:

C8-1G eight (8) In-Line 10/100/1000

Order Information:

C8-1G Main Unit, rackmount
Incl. 2*internal Powersupply (redundant)
incl. Manual

Specification:

Redundant powered AC 90-240V, 50-60Hz
Power consumption <40W



feat. **Consumption/10Y:**
„saves 800kWh in10Y
by low power consumption“

Metal housing, structured black oven painted
Operating Temperature : 0°C to 50°C
Storage Temperature : -10°C to 80°C
Humidity : 10% to 90%, none condensing

Weight& Size:

44x25x4,4 cm (WxDxH),
Frontpanel dimensions 48,3 cm (W)
2,2 kgs

Conformity:

Special use at **XX-series**

C8-1G is a plug'n play Add-On for advanced connectivity to our XX-32GLite & XX-32G.
Call or learn more on www.profitap.com

Messkom Vertriebs GmbH
Awarening 38
85419 Mauern



Tel: 08764 / 948 430
Fax: 08764 / 948 433
Email: info@messkom.de
URL: www.messkom.de